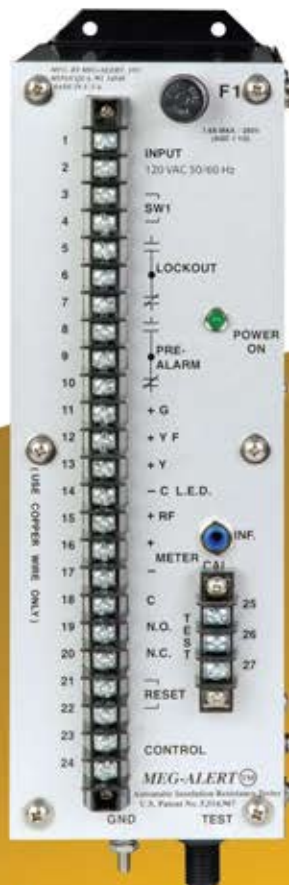




MOTOR guard™

- AC Induction Motors
- AC Synchronous Motors
- Wound Rotor Motors



**Reduce Risk
to Save Lives**



Automatic Insulation Resistance Tester that monitors and protects critical-duty motors

**FEATURES: Model GP2500-MU-AS
GP5000-MU-AS GP5000-MU-HV-AS**

- Single Motor Model
- Auto/Manual test operation
- Adjustable alarm set point
- Adjustable pre-alarm set point
- Latching alarm contacts with manual reset
- Fused input and H.V. test lead
- 15 ft. two-way current-limited H.V. test lead w/plug
- 2500 VDC/5000 VDC test voltage
- Remote Calibration and system test switch
- Long-life, flashing remote LED/switch assembly w/ 15 ft. cable
- 1% meg-ohm meter with 4' color coded dial
- 10 Year Warranty

Optional Features

- Digital meter for RS232/485 Modbus or Ethernet protocols
- 4-20 mA transducer

**SPECIFICATIONS: Model GP2500-MU-AS
GP5000-MU-AS GP5000-MU-HV-AS**

Input Voltage: 120/240 VAC 50/60 Hz

Input Current: .15 A @ 120 VAC

Test Voltage: 2500/5000 VDC @ 350 µA max.

Maximum Line Voltage: 7500 V RMS (HV model - 15 KV)

Control Sensing: N/O Contact or 120 VAC, 50/50 Hz

Alarm Time Delay: 0 - 2 Minutes

Alarm/Lockout Contact: 1 Form C, 5A @ 240 VAC or 28 VDC

Pre-Alarm Contact: 1 Form C, 5A @ 240 VAC or 28 VDC

LED Display: Power On: Green

Test On: Yellow

Pre-Alarm: Yellow Flashing

Alarm: Red Flashing

Meter Output: 1% Analog Signal

Accuracy: 1% Overall

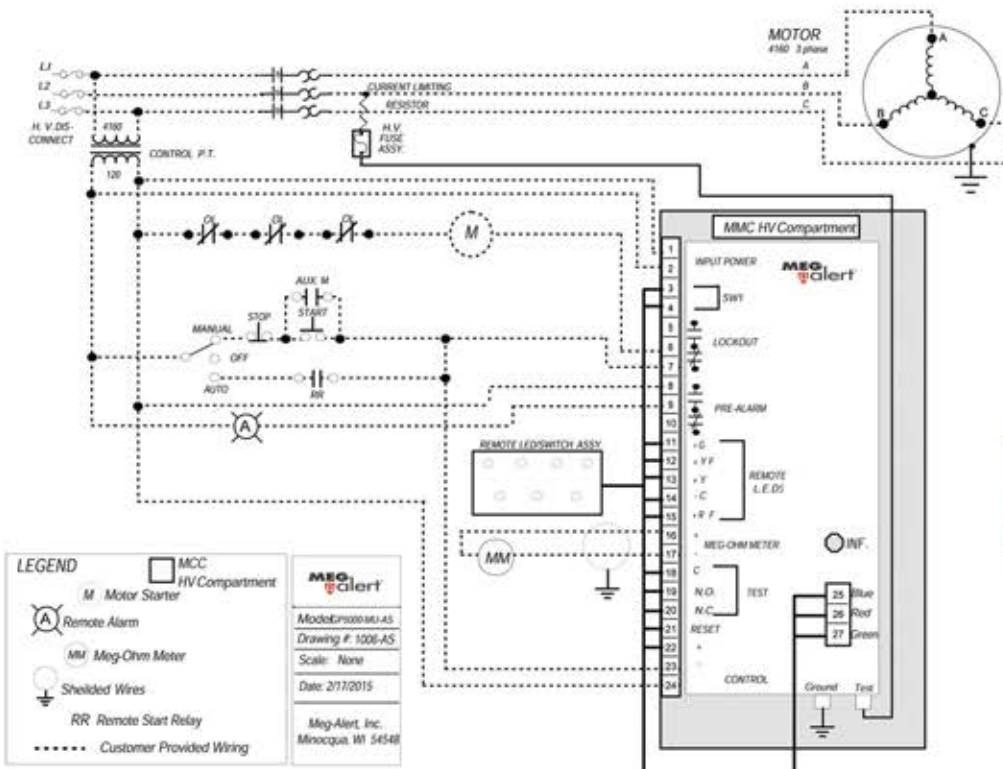
Ambient Temperature: -20° F to 140° F

Size: 12" H x 4" W x 8.5" D

Weight: 4.8 lbs.

Operation:

MotorGuard applies a current limited, fixed DC voltage to the motor windings during idle periods. A solid state comparator circuit monitors measured leakage current to the ground. Two adjustable set points, factory preset to customer specifications, can be programmed to signal a pre-alarm, alarm and lockout the equipment from operating if the low set point is exceeded. The manual reset feature enables a return to operational status only after the alarm condition has been corrected. MotorGuard will not impair normal operation of the equipment being monitored.



Typical Wiring Diagram

In addition to a wide variety of standard in-stock systems, our engineers will work with you on custom applications. Call the factory for details.



1.877.467.6372

www.hornerindustrial.com

U.S. Patent 5,514,967 - Patents Pending