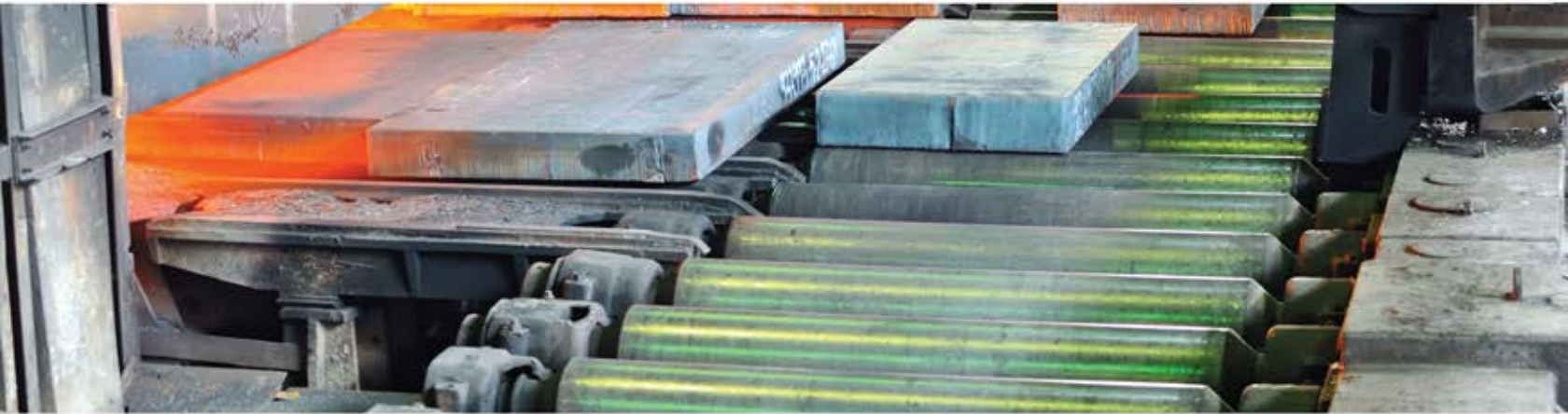


MEGalert™

Safety By Choice
Reliability By Design

MOTOR & GENERATOR PROTECTION

GP500/1000-M-DC



MOTOR guard™

- AC Synchronous Motors
- DC Motors
- Wound Rotor Motors
- Servo Motors



**Reduce Risk
to Save Lives**



Automatic Insulation Resistance Tester that monitors and protects critical-duty motors

FEATURES: Model GP500/1000-M-DC

- DC Motor Model (single motor)
- Auto/Manual test operation
- Adjustable alarm set point
- Latching alarm contacts with manual reset
- Fused input and test output
- 500/1000 VDC test voltage
- Calibration and system test switch
- Long-life, remote LED display assembly
- 1% meg-ohm meter with 4" color coded dial
- 10 Year Warranty

Optional Features

- 4-20 mA transducer
- Pre-alarm set point with contacts
- 2% panel meter with color coded dial

SPECIFICATIONS: Model GP500/1000-M-DC

Input Voltage: 24 VDC

Input Current: .68 A max @ 24 VDC

Test Voltage: 500/1000 VDC @ 200 µA max.

Maximum Line Voltage: 1000 V RMS

Control Sensing: 120 VAC, 50/60 HZ or 24 VDC

Alarm Time Delay: 0 - 10 Seconds

Alarm/Lockout Contacts: 2 Form C, 5A @ 240 V or 28 VDC

Pre-Alarm Contact: 1 N/O, 5A @ 240 VAC or 28 VDC

(Optional)

LED Display: Test On: Green

Pre-Alarm: Yellow Flashing (Optional)

Alarm: Red Flashing

Meter Output: 1% Analog Signal (0 - 200mA VDC)

Accuracy: 1% Overall

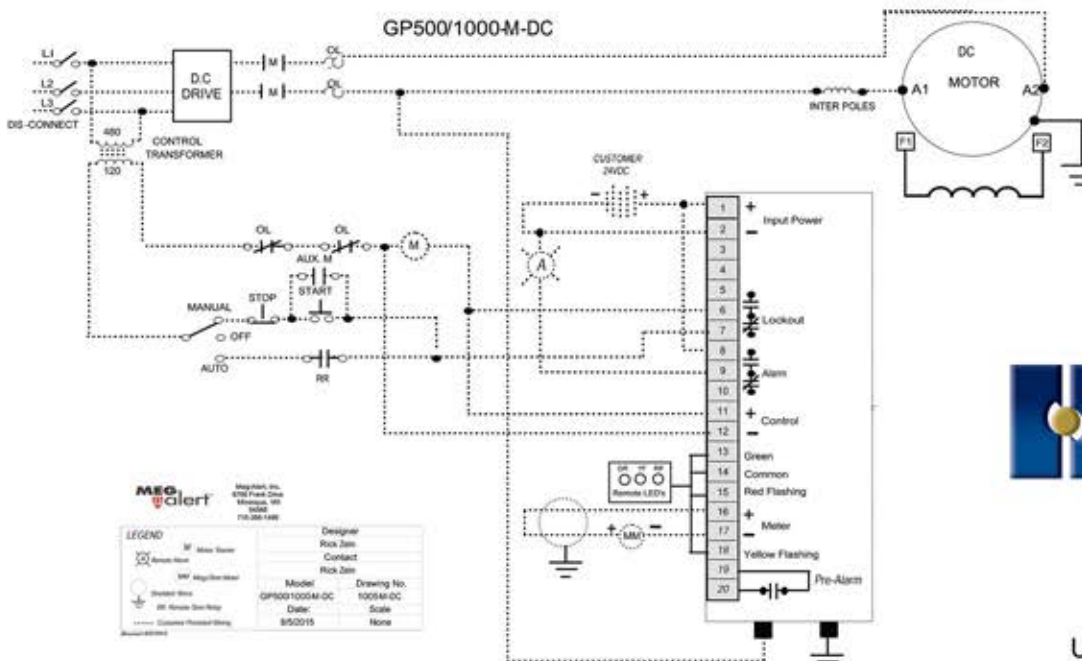
Ambient Temperature: -20° F to 140° F

Size: 4" H x 12" W x 8" D

Weight: 4.8 lbs.

Operation:

MotorGuard applies a current limited, fixed DC voltage to the motor windings during idle periods. A solid state comparator circuit monitors measured leakage current to the ground. Two adjustable set points, factory preset to customer specifications, can be programmed to signal a pre-alarm, alarm and lockout the equipment from operating if the low set point is exceeded. The manual reset feature enables a return to operational status only after the alarm condition has been corrected. MotorGuard will not impair normal operation of the equipment being monitored.



Typical Wiring Diagram

In addition to a wide variety of standard in-stock systems, our engineers will work with you on custom applications. Call the factory for details.



1.87.467.6372
www.hornerindustrial.com

U.S. Patent 5,514,967 - Patents Pending